

G: Gear type pump range

G: J Style:



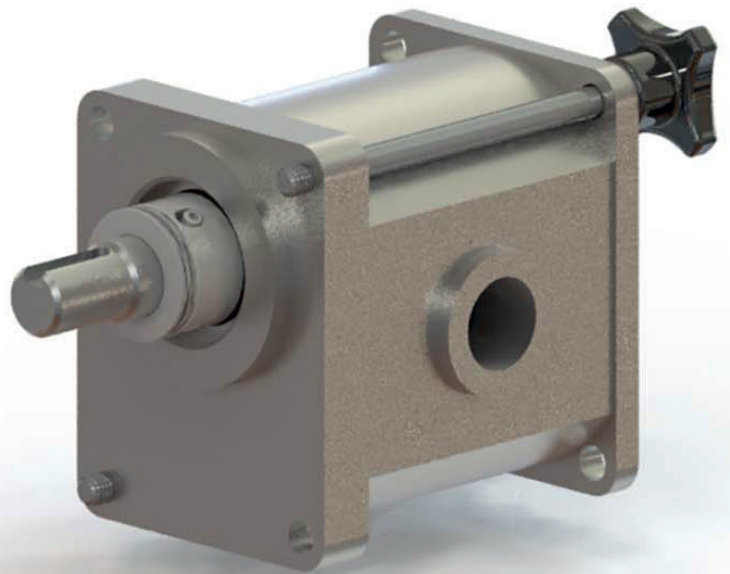
Materials: **AL** | **HY** | **SS**



Fast maintenance and hygienic pumps

The GJ range is Albany's stainless steel series of pumps, designed primarily for the bottle filling, dosing, sampling and chemical transfer industries. All components are machined to a high standard. Designed with a three-piece housing for easy cleaning and maintenance.

The GJ range extends from 5 to 90 litres per minute and up to seven bar. This range can be supplied with a variety of different industry standard connections, including BSP male and female and IDF, ILC, RJT or Tri-clamp. The pumps are compact and easy to strip. The non-drive end allows easy and tool-free maintenance.



Albany's 24-page brochure is available as a download at www.albany-pumps.co.uk



Maximum working pressure 7 barg	Pump size range 1/2" - 1 1/2"	Maximum temperature 50°C (100°C special)	Flow rate 5-90 L/min
--	--------------------------------------	---	-----------------------------

- AL Aluminium | CS Cast Steel | CI Cast Iron | GM Gunmetal | HY Hastelloy | NR Ni-resist | NY Nylon | PP Polypropylene | SD Super Duplex | SS Stainless Steel
 General and Chemical | Bitumen | Fire | Dispenser Machines | Food Industry | Lubrication | Marine | Oil & Gas | Refrigeration | Sugar

www.albany-pumps.co.uk +44 (0) 1594 842 275

Head Office and Manufacturing Centre

Albany Engineering Company Ltd
Church Road, Lydney
Gloucestershire, GL15 5EQ
United Kingdom

t: +44 (0) 1594 842 275
Head Office Option 1

e: salesdept@albany-pumps.co.uk

Service and Repair Centre

Albany Engineering Company Ltd
Richter Works, Garnett Street
Bradford BD3 9HB
United Kingdom

t: +44 (0) 1594 842 275
Service and Repair (Option 2).

e: servicedept@albany-pumps.co.uk

Albany Pumps

G: J Style: JS100 range Fast maintenance and hygienic pumps

MAIN FEATURES

- Quick Strip
- Compact Design
- Bi - Rotational
- High Efficiency
- Self Priming
- Special Gear Profile

APPLICATION

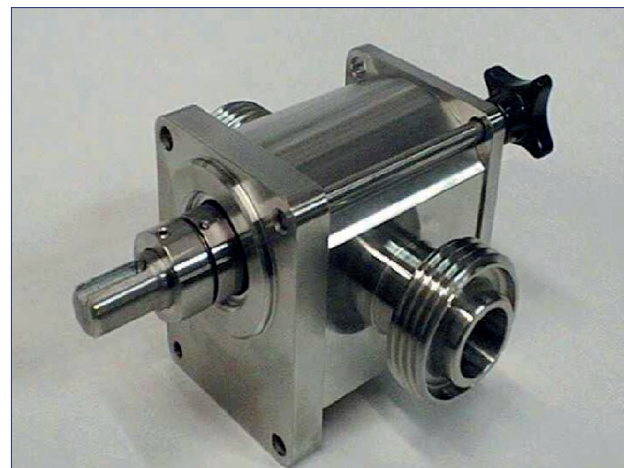
The JS100 series consists of four models constructed in Stainless Steel. They are used to handle a wide range of products for bottle filling, dosing, sampling and transfer, in the Food, Chemical and associated industries.

CONSTRUCTION

All components are fully machined to a high standard. Releasing the two hand nuts allows easy dismantling of the three piece housing. The shaft assembly complete with mechanical seal can be withdrawn through the front cover.

MATERIALS

Body	ANSI 316
End Covers	ANSI 316
Shafts	ANSI 316
O – Rings	Viton
Bearings	Glass filled PTFE
Gears	Non galling Stainless



OPTIONS

Shaft sealing	Mechanical seal with viton sealing and stainless/carbon faces or tungsten carbide faces. Optional lip seal in viton or EPDM.
Shafts ANSI 440	Hardened
Elastomers	EPDM, Nitrile optional PTFE encap.
Pumps suitable for	Up to 50 C
Modified versions with special bushes	Up to 100 C

CONNECTIONS

Standard	1/2" or 3/4" BSP Female
Options	1" in BSP Male, IDF, ILC, RJT, or Tri-Clamp

DRIVE

Suitable for close coupling to D70, D80 or D90 motors with 'C' face and geared motor units.

Albany Pumps

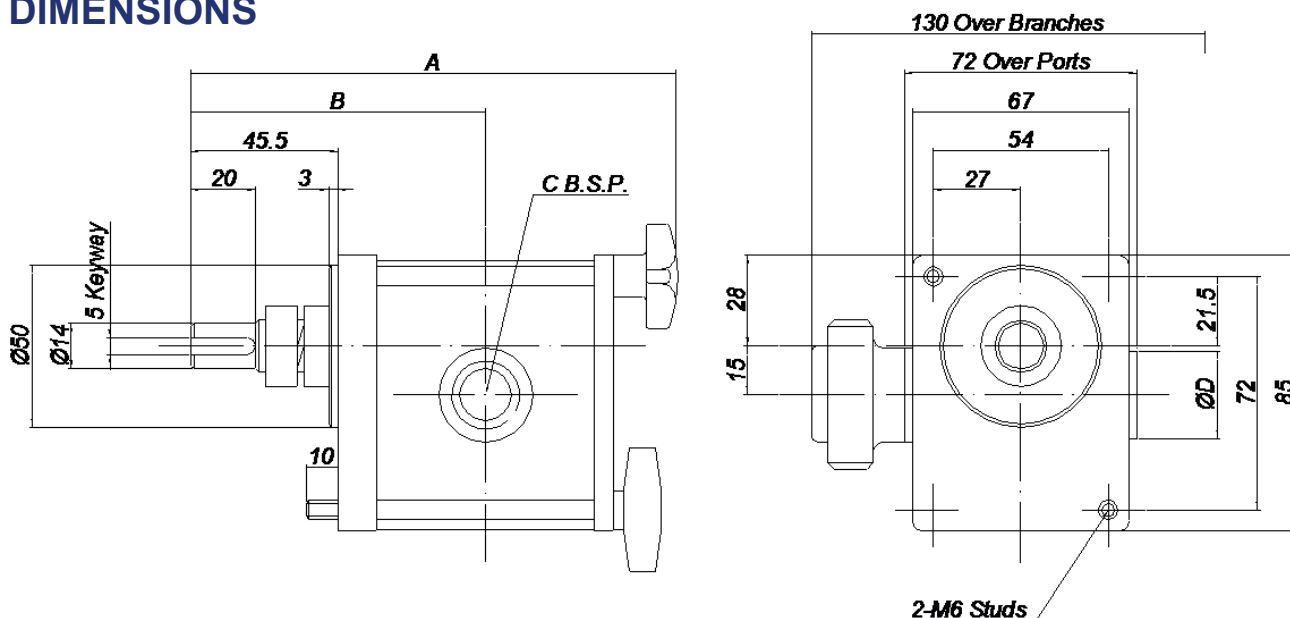
G: J Style: JS 100 range

Fast maintenance and hygienic pumps

CAPACITY / POWER

Model	rpm	Kw	Litres / Min					Max cSt.
			0	2	4	6	7 bar	
JS110	720	0.18	4.90	3.90	2.90	1.90	1.40	975
	930	0.25	6.50	5.75	4.65	3.73	3.26	750
	1420	0.37	9.80	8.95	8.10	7.25	6.83	550
JS120	720	0.37	8.25	7.10	5.95	4.80	4.23	975
	930	0.37	11.00	9.93	8.85	7.78	7.24	750
	1420	0.55	16.50	15.50	14.50	13.50	13.50	550
JS130	720	0.55	13.30	12.03	10.76	9.49	8.86	975
	930	0.55	17.70	16.47	15.24	14.01	13.40	750
	1420	0.75	26.60	25.44	24.28	23.12	22.54	550
JS140	720	0.75	16.50	15.05	13.60	12.15	11.43	975
	930	1.10	21.90	20.54	19.17	17.81	17.13	750
	1420	1.10	33.00	31.70	30.40	29.10	28.55	550

DIMENSIONS



	A	B	C	D	Kg
JS110	141	86	1/2 BSP	26	2.5
JS120	151	91	1/2 BSP	26	2.8
JS130	166	98.5	3/4 BSP	35	3.2
JS140	166	98.5	3/4 BSP	35	3.2

Albany Pumps

G: J Style: JS 200 range Fast maintenance and hygienic pumps

MAIN FEATURES

- Quick Strip
- Compact Design
- Bi - Rotational
- High Efficiency
- Self Priming
- Special Gear Profile

APPLICATION

The JS200 series consists of 4 models constructed in Stainless Steel. They are used to handle a wide range of products for bottle filling, dosing, sampling and transfer, in the Food, Chemical and associated industries.

CONSTRUCTION

All components are fully machined to a high standard. Releasing the two hand nuts allows easy dismantling of the three piece housing. The shaft assembly complete with mechanical seal can be withdrawn through the front cover.

MATERIALS

Body	ANSI 316
End Covers	ANSI 316
Shafts	ANSI 316
O – Rings	Viton
Bearings	Glass filled PTFE
Gears	Non galling Stainless



OPTIONS

Shaft sealing	Mechanical seal with viton sealing, stainless and carbon faces. Tungsten carbide faces optional.
Shafts ANSI 440	Hardened
Elastomers	EPDM, Nitrile, PTFE encap.
Pumps suitable for	Up to 50°C
Modified versions with special bushes	Up to 100°C

CONNECTIONS

Standard	1 1/2" BSP Female
Options	1 1/2" BSP Male, Tri-Clamp, RJT

DRIVE

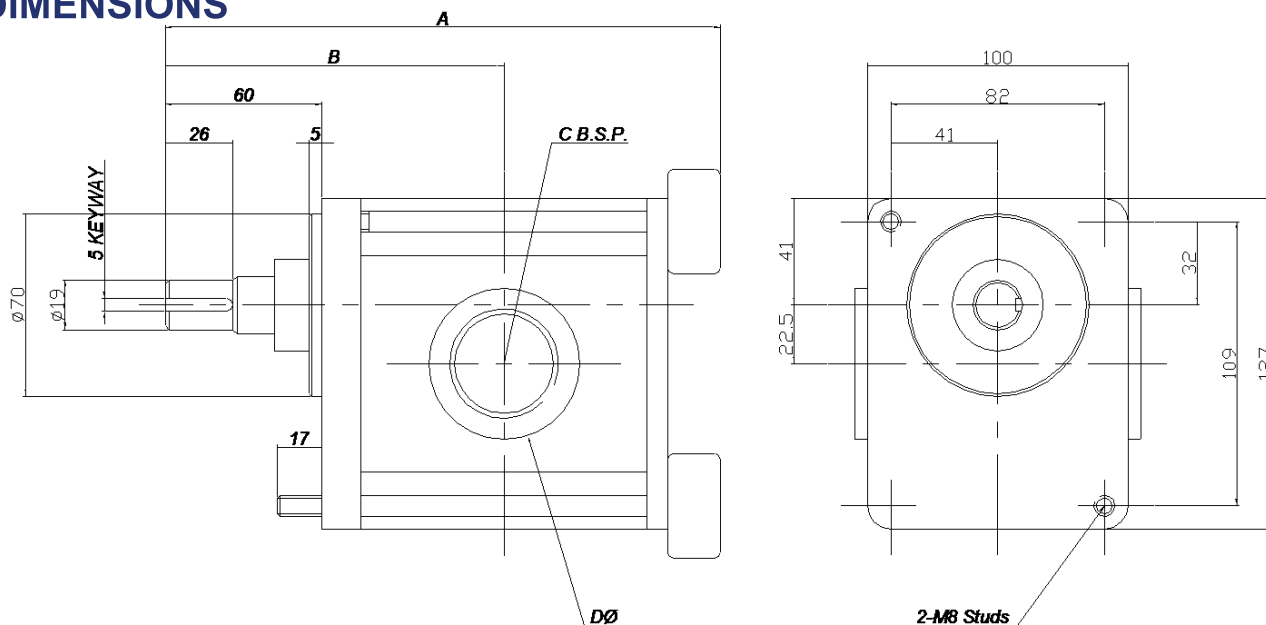
Suitable for close coupling to D90, D100 or D112 motors with 'C' face and geared motor units.

G: J Style: JS 200 range Fast maintenance and hygienic pumps

CAPACITY / POWER

Model	rpm	Kw	Litres / Min					Max cSt.
			0	2	4	6	7 bar	
JS210	720	0.75	18.5	17.0	16.0	14.5	13.5	975
	930	1.1	25.0	23.5	22.0	20.0	18.5	750
	1420	1.5	37.5	34.0	32.0	29.0	26.5	550
JS220	720	1.1	26.0	24.0	22.0	20.5	18.5	975
	930	1.5	35.0	32.5	30.0	28.0	25.0	750
	1420	2.2	60.0	48.0	44.0	40.5	37.0	550
JS230	720	1.1	37.5	34.0	32.0	29.0	26.5	975
	930	1.5	50.0	46.5	44.0	40.0	35.6	750
	1420	2.2	85.5	68.0	64.0	58.0	53.0	550
JS240	720	1.5	45.5	41.0	38.5	35.0	32.0	975
	930	2.2	60.0	56.0	53.0	48.0	44.0	750
	1420	3.0	90.0	82.0	77.0	70.0	64.0	550

DIMENSIONS



	A	B	C	D	Kg
JS210	183	115	1 1/2 BSP	58	7.6
JS220	183	115	1 1/2 BSP	58	7.6
JS230	213	130	1 1/2 BSP	58	9.8
JS240	213	130	1 1/2 BSP	58	9.8